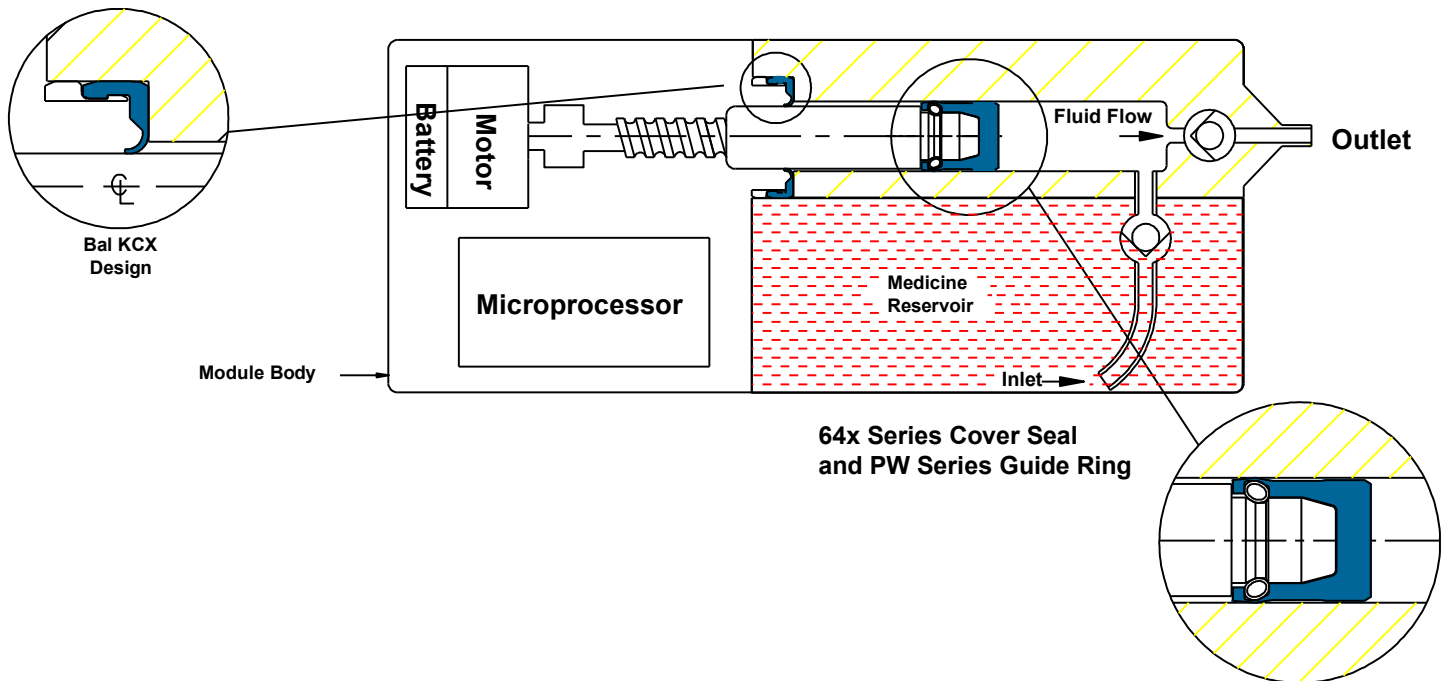


BAL SEAL® SEALS IN MICRO INFUSION PUMPS

Micro infusion pumps are programmed, time-released mechanisms that dispense precise volumes of medications. The Bal Cover Seal series 64X has a snap-on locking feature for ease of assembly and provides low dead volume to control dispensing accuracy.

A Bal Seal KCX series seal for reciprocating service gives low slip-stick friction and reduces contamination into the syringe area. The piston assembly is held concentric in the housing bore with a spring loaded PW series guide ring.



Operating Parameters

Pressure:	Vacuum to 30 psi (2.1 kg/cm ²)
Speed:	Slow, linear travel or incremental movement
Temperature:	70°F (21°C)
Media:	Pharmaceutical medication
Additional:	Low stick-slip friction and excellent sealing

Seal Selection: 64X and KCX

Features:

- Bal Seal 64X series selected for low friction, good sealing and reduced dead volume.
- Bal Seal KCX selected for light-duty sealing needs and press-in metal locking ring retention system.
- Unique, low-friction seal design minimizes motor power loss, which affects fluid metering.
- Patented, canted-coil spring energizer provides near-constant force for long seal life.
- Filled PTFE seal materials can be operated unlubricated and are FDA-compatible.*

For more information and technical assistance, consult the Technical Sales Department

PATENTS: The items described in this page include products that are the subject of issued United States and foreign patents or products where patents are pending, including the following: Patents 6,641,141 B2; 7,210,398 B2; 6,161,838; 5,992,856; 5,134,244
U.S. Address 19650 Pauling Foothill Ranch, CA 92610-2610 • Phone: (949) 460-2100 • Fax: (949) 460-2300

BV Address: Jollemanhof 16, • 1019 GW Amsterdam • The Netherlands • Phone: 31 20 638 65 23 • Fax: 31 20 625 60 18

Rev.D 10-18-07 (11-79-2)

Bal Seal Engineering, Inc. is certified to ISO 9001 | www.balseal.com